

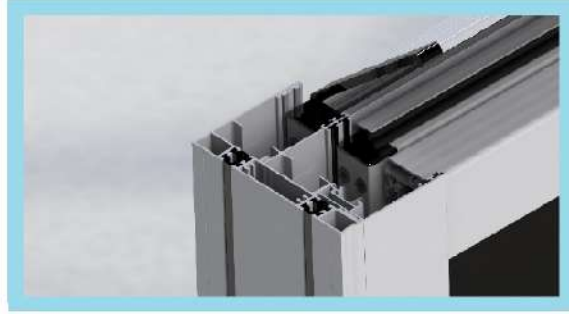


ALUMINUM BALCONY GLASS SYSTEMS

2022

ÜRÜN KATALOĞU
PRODUCT CATALOGUE

ALÜMİNYUM & BALKON CAMLAMA SİSTEMLERİ



MAVİ BLUE
YEŞİL GREEN
FÜME SMOKED
BRONZ BRONZE



Pergola

We offer service with;

- ▶ 20 Kva High Frequency Blackout Welding Machine (15 Mt) in Shading System Production;
- ▶ Rail Bending Machine w/ Radius;
- ▶ Electrostatic Powder Coating Plant;
- ▶ Zip Curtain Gluing Machine;
- ▶ Advanced Technology ERP Computer Controlled Production with an annual pergola production capacity of 120.000 m².

Our Pergola Aluminum Profiles

- ▶ High strength alloy electrostatic powder paint skeleton,
- ▶ Rail aluminum thermal profile,
- ▶ All parts of the system are made of special injection molded aluminum material.

Blackout

- ▶ Our fabric is in cold and heat resistance references between -30 to +70 degrees.
- ▶ It is produced within the relevant standards of the European Union in the standards of rupture, adhesion, fire resistance, tear.
- ▶ It passed from all tests related to the standards. Both surfaces of the fabric are lacquered, and they maintain their quality as they were for the first day owing to roving to be performed by our company.
- ▶ Our fabric is guaranteed for 5 years against color fastness.

- ▶ In addition, owing to the special film on the top and lacquer layer of our fabric, it has the feature of thermal insulation, higher heat cutting (cold / hot) and sunproof.
- ▶ Standard colors available in our stock: Cream 3D, Gray 3D, Anthracite gray 3D, Black 3D, White 3D.

Electrostatic Paint

- ▶ Textured paint will be applied on the chrome-plated surfaces that have been passed through the acid pool.
- ▶ The desired RAL code will be applied.
- ▶ Has guarantee for 10-years against color fastness.

Machine Automation

- ▶ Our machines have automatic fabric length adjustment (prevents sagging) and automatic limit switch adjustment feature.
- ▶ All assemblies and programming can be performed remotely.
- ▶ Optionally, it is compatible with smart phone and tablet applications within the unit of interest.
- ▶ Has 5-year warranty.

Our products

- ▶ Samsung Led is used. If desired, dimming feature is added.
- ▶ The top protective section is closed with a special twisted sheet.
- ▶ The surrounding of the system is isolated with special neutral silicone.
- ▶ All bolts used are stainless.
- ▶ They are Triger Italian Elatech.

Pergola Profile Details



110 x 145 Dinek Profili
110 x 145 Column Profile
Profile Nr : 2111
Weight kg/m: 3,044
(110 x 145 x 2mm)



Küçük Kumaş Taşıyıcı Profili
Small Fabric Carrier Profile
Profile Nr : 37156
Weight kg/m: 0,845
(43,20 x 56,80 x 1,7mm)



Trapez Kayıt Profili
Trapeze Enrollment Profile
Profile Nr : 37025
Weight kg/m: 1,659
(30 x 150 x 1,6mm)



Tüp Motor Boru Profili
Engine (Motor) Profile
Profile Nr : 5312
Weight kg/m: 1,100
(a 75,5 x 1,5mm)



Büyük Kumaş Taşıyıcı Profili
Large Fabric Carrier Profile
Profile Nr : 5410
Weight kg/m: 1,935
(58,55 x 83,90 x 1,7mm)



Yatay Led Işık
Horizontal Led Light
PRG-03-30500-00-00

Pergola System Details

Blockout

- Our fabric is in cold and heat resistance references between -30 to +70 degrees.
- It is produced within the relevant standards of the European Union in the standards of rupture, adhesion, fire resistance, tear.
- It passed from all tests related to the standards. Both surfaces of the fabric are lacquered, and they maintain their quality as they were for the first day owing to roving to be performed by our company.
- Our fabric is guaranteed for 5 years against color fastness.
- In addition, owing to the special film on the top and lacquer layer of our fabric, it has the feature of thermal insulation, higher heat cutting (cold / hot) and sunproof.
- Standard colors available in our stock: Cream 3D, Gray 3D, Anthracite gray 3D, Black 3D, White 3D.

Electrostatic Paint

- Textured paint will be applied on the chrome-plated surfaces that have been passed through the acid pool.
- The desired RAL code will be applied.
- Has guarantee for 10-years against color fastness.

Motor Automation

- Our Motors have automatic fabric length adjustment (prevents sagging) and automatic limit switch adjustment feature.
 - All assemblies and programming can be performed remotely.
 - Optionally, it is compatible with smart phone and tablet applications within the unit of interest.
- 5 - Has 5-year warranty.

Our products;

- Samsung Led is used. If desired, dimming feature is added.
- The top protective section is closed with a special twisted sheet.
- The surrounding of the system is isolated with special neutral silicone.
- All bolts used are stainless.
- They are Triger Italian Elatech.



Pergola Profile Details



Kalin Ray Profil
Thick Rail Profile
Profile Nr : 2001
Weight kg/m: 7,168
(110 x 150 x 2,5mm)



Orta Kalin Ray Profil
Medium Thick Rail Profile
Profile Nr : 2052
Weight kg/m: 5,217
(90 x 150 x 2mm)



Küçük Ray Profil
Small Rail Profile
Profile Nr : 2156
Weight kg/m: 3,217
(70 x 150 x 1,9mm)



Büyük Su Oluğu Profil
Large Water Gutter Profile
Profile Nr : 2078
Weight kg/m: 4,398
(150 x 152 x 2,2mm)



Küçük Su Oluğu Profil
Small Water Gutter Profile
Profile Nr : 5935
Weight kg/m: 3,916
(120 x 164 x 2,5 mm)



100 x 100 Direk Profil
100 x 100 Column Profile
Profile Nr : 6565
Weight kg/m: 2,463
(100 x 100 x 2mm)

Pergola Profile Details



70x150 Ray Alüminyum Ön Kafa
Aluminium Rail Front Head
PRG-02-10610-00-0X



90x150 Ray Alüminyum Ön Kafa
Aluminium Rail Front Head
PRG-02-10620-00-0X



110 x150 Ray Alüminyum Ön Kafa
Aluminium Rail Front Head
PRG-02-10600-00-0X



100x100 Alüminyum Direk Papucu
Aluminium Column Lug
PRG-02-10710-00-0X



110 x145 Alüminyum Direk Papucu
Aluminium Column Lug
PRG-02-10720-00-0X

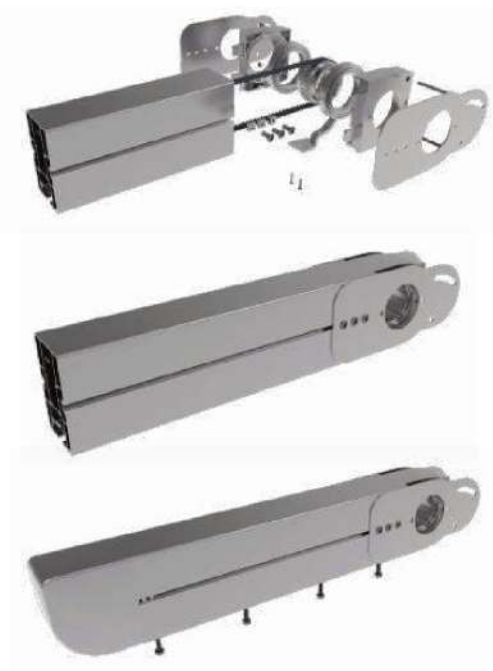


Büyük Oluk Alüminyum Yan Kapağı
Big Groove Aluminium Side Cover
PRG-02-10740-00-0X

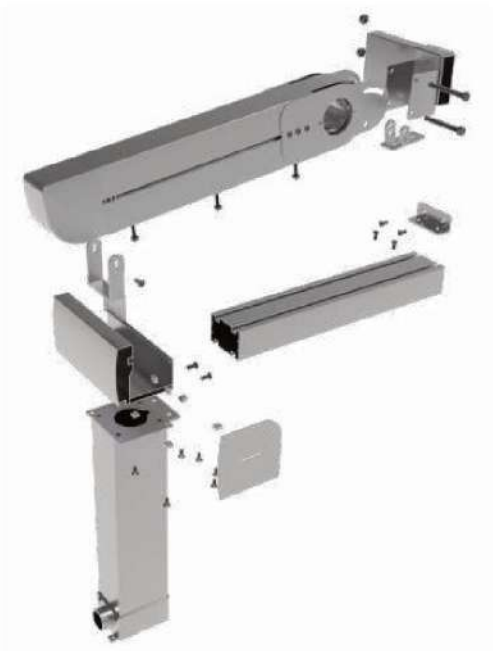
Pergola Assembly Details



Pergola Assembly Details



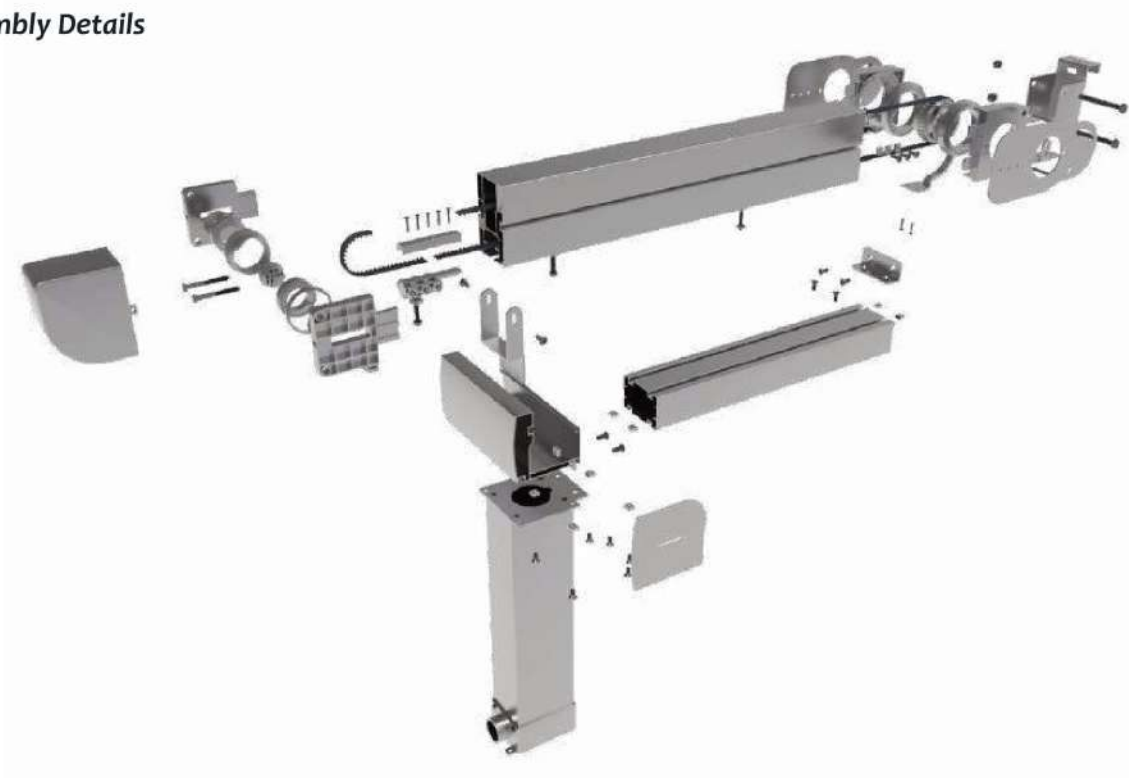
Pergola Assembly Details



Pergola Assembly Details



Pergola Assembly Details



Rolling Roof Assembly Details - Rail



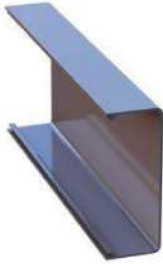
Rolling Roof Profile Details



Dikme Profil
Sewing Profile
Profile Nr : 2341
Weight kg/m: 3,028
Size : 110x120x2 mm



Motor Borusu
Motor Tube
Profile Nr : 5312
Weight kg/m: 1,100
Size : Ø 75,5x1,5 mm



Dikme Kapak Profil
Sewing Cover Profile
Profile Nr : 2342
Weight kg/m: 1,055
Size : 45x120x1,8 mm

Pergola System Options



Our Finished Pergola Projects



India Airport



Qatar



Romania



Qatar



Serbia



Qatar